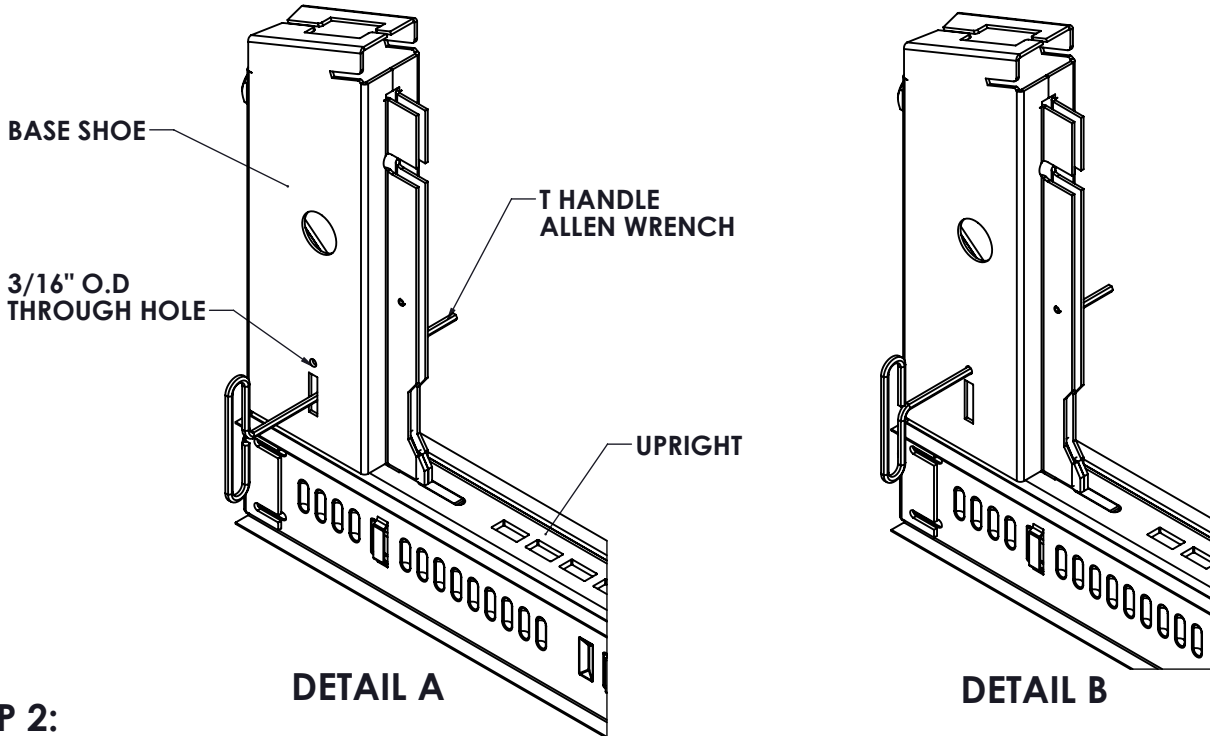


INSTALLATION INSTRUCTIONS TO:

# **ENSURE THE SHOE IS LOCKED IN THE UPRIGHT**

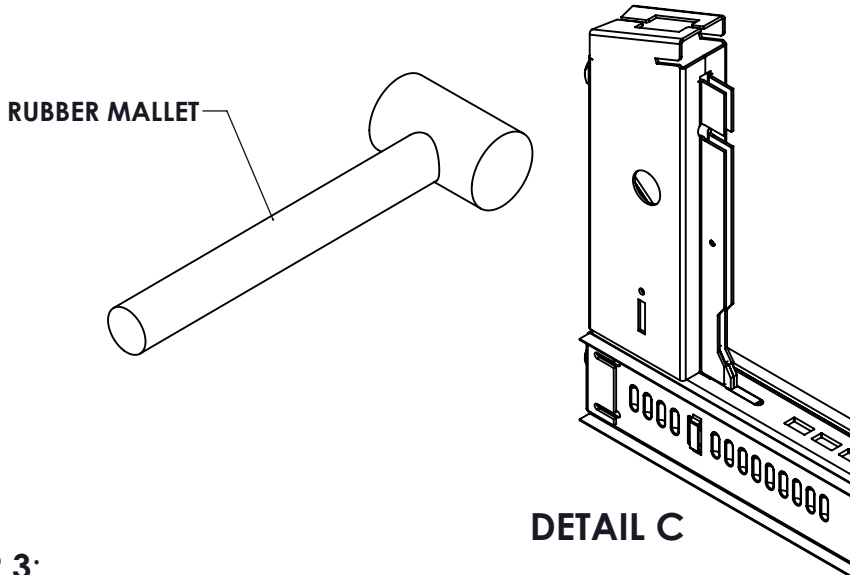
## **STEP 1:**

INSTALL THE BASE SHOE IN THE UPRIGHT AS PER THE SHELVING INSTALLATION INSTRUCTIONS PROVIDED. MAKE SURE YOU DEFINITELY HEAR THE CLICK ONCE THE T-HANDLE ALLEN WRENCH IS PRESSED DOWN WITH EVEN PRESSURE PER DETAIL A.



## **STEP 2:**

ONCE THE LOCKING CLIP IS ENGAGED IN THE UPRIGHT SLOT, SLIDE THE T HANDLE WRENCH IN THE 3/16" HOLE AS PER DETAIL B. IF THE HANDLE PASSES THROUGH THE HOLE, AN ADDITIONAL CHECK THAT THE LOCKING CLIP IS FORWARD THE WAY IT NEEDS TO AND THE SHOE IS LOCKED.



## **STEP 3:**

USE A RUBBER Mallet TO TAP THE BASE SHOE FROM BOTTOM AS PER DETAIL C. IF THE SHOE DOESN'T POP OUT OF THE UPRIGHT IT MEANS THE SHOE IS LOCKED. FOLLOW STEPS 1-3 IN ORDER TO ENSURE THE SHOES ARE INSTALLED IN THE UPRIGHT.

## **CAUTION:**

IF THE BASE SHOE IS NOT LOCKED IN THE UPRIGHT CORRECTLY, THE GONDOLA MIGHT COLLAPSE ONCE LOADED CAUSING BODILY INJURY.

SHEET 1/2

DESCRIPTION: **ENSURE THE SHOE IS LOCKED IN THE UPRIGHT**

CATALOG #:

392 W. PULTENEY ST., CORNING, NY 14830, VOICE: (607) 962-2137, FAX: (607) 962-7655, WWW.STORFLEX.COM

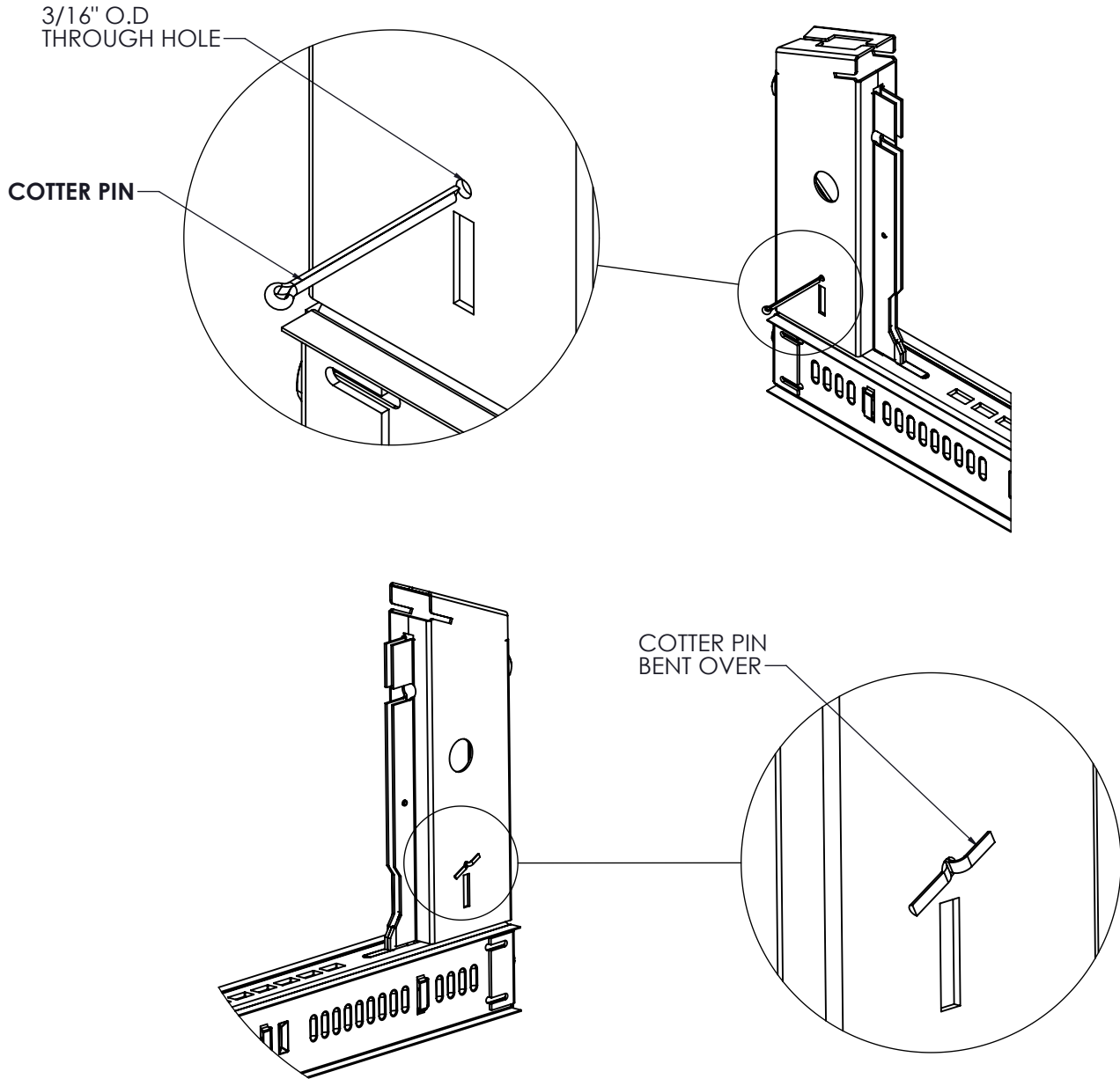
THIS DOCUMENT IS CONFIDENTIAL AND PROPRIETARY TO STORFLEX FIXTURE CORPORATION. NO DISCLOSURE, REPRODUCTION, OR ANY USE OF ANY PART OF THIS DOCUMENT MAY BE MADE WITHOUT PRIOR WRITTEN PERMISSION OF STORFLEX FIXTURE CORPORATION.

Z:\WORK IN PROCESS\PPP\Shoe+Upright Install\

INSTALLATION INSTRUCTIONS TO:

# ***ENSURE THE SHOE IS LOCKED IN THE UPRIGHT***

**STEP 4: INSTALL COTTER PIN IF PROVIDED. INSERT INTO 3/16 HOLE AND PUSH COMPLETELY THROUGH TILL PIN COMES OUT OPPOSITE SIDE OF BASE SHOE. BEND OVER EACH HALF OF PIN AS SHOWN.**



**SHEET 2/2**

DESCRIPTION: ***ENSURE THE SHOE IS LOCKED IN THE UPRIGHT***

CATALOG #:

392 W. PULTENEY ST., CORNING, NY 14830, VOICE : ( 607 ) 962-2137, FAX : ( 607 ) 962-7655, WWW.STORFLEX.COM

THIS DOCUMENT IS CONFIDENTIAL AND PROPRIETARY TO STORFLEX FIXTURE CORPORATION. NO DISCLOSURE, REPRODUCTION, OR ANY USE OF ANY PART OF THIS DOCUMENT MAY BE MADE WITHOUT PRIOR WRITTEN PERMISSION OF **STORFLEX FIXTURE CORPORATION**.

Z:\WORK IN PROCESS\PPP\Shoe+Uprite Install\